

DATA SHEET

SV 300/1

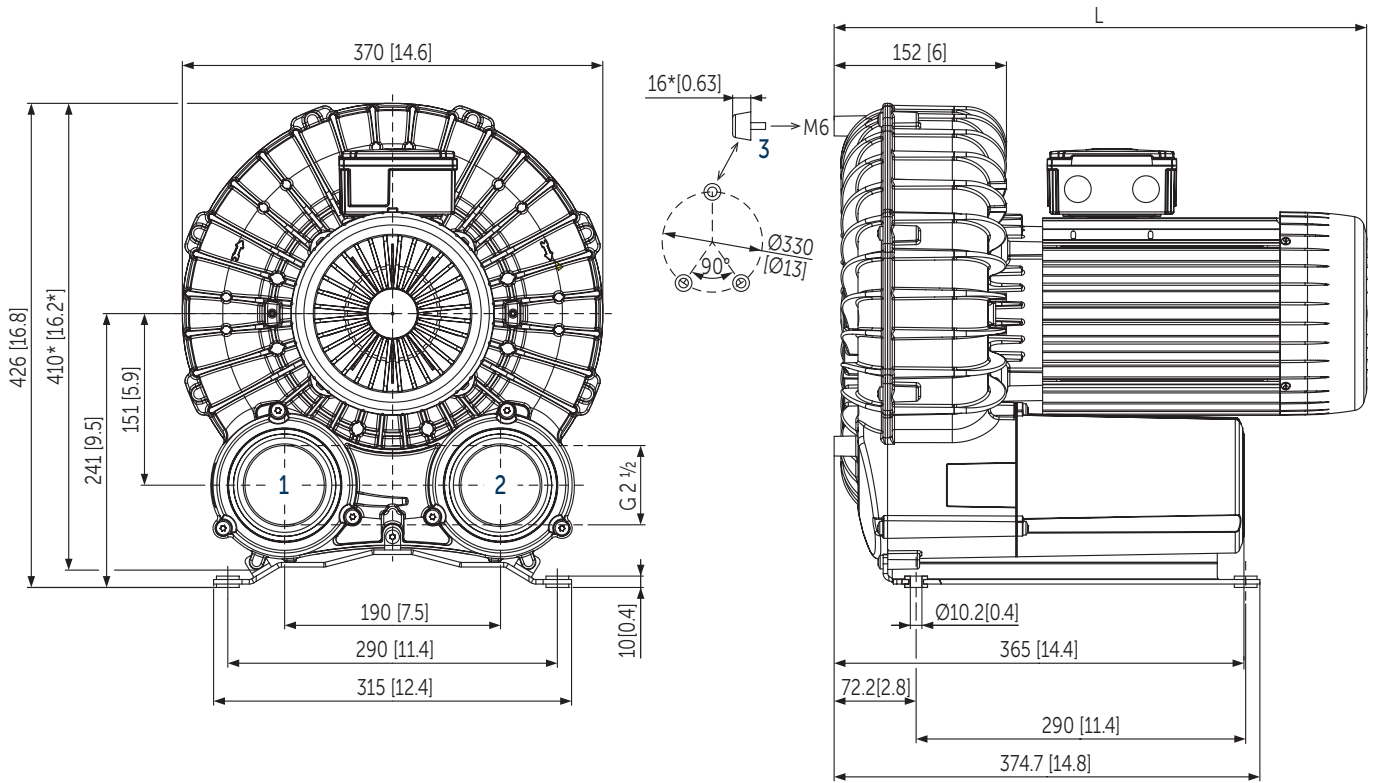
SIDE CHANNEL BLOWERS

single stage

air-cooled

MAKE IT BECKER.





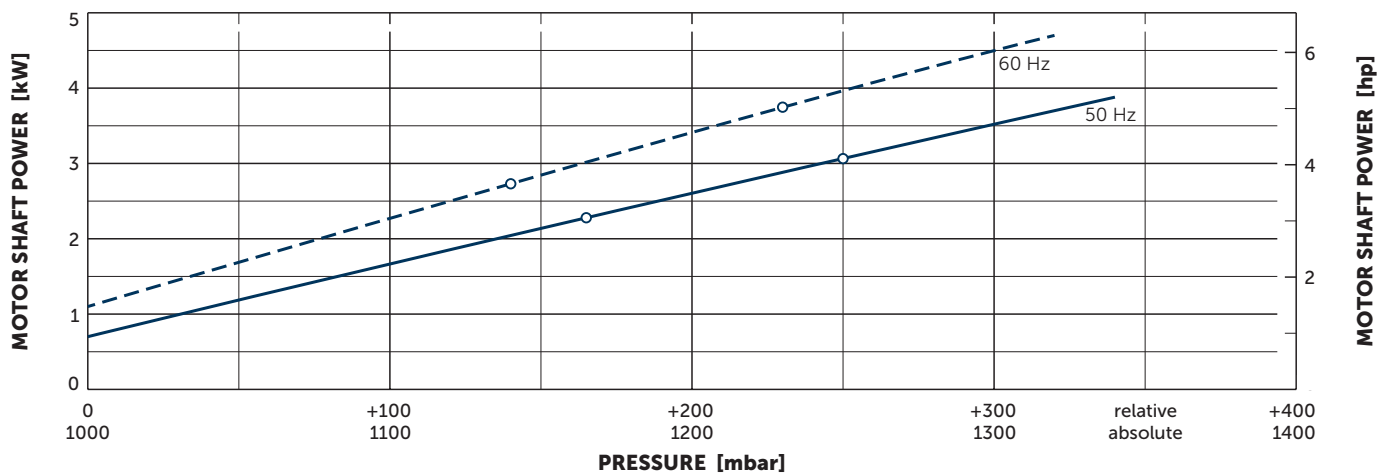
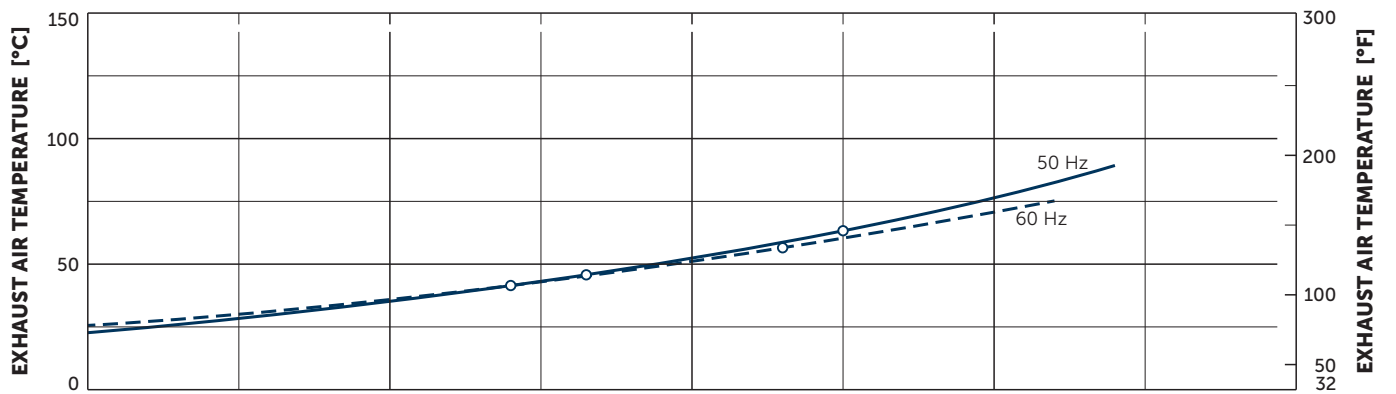
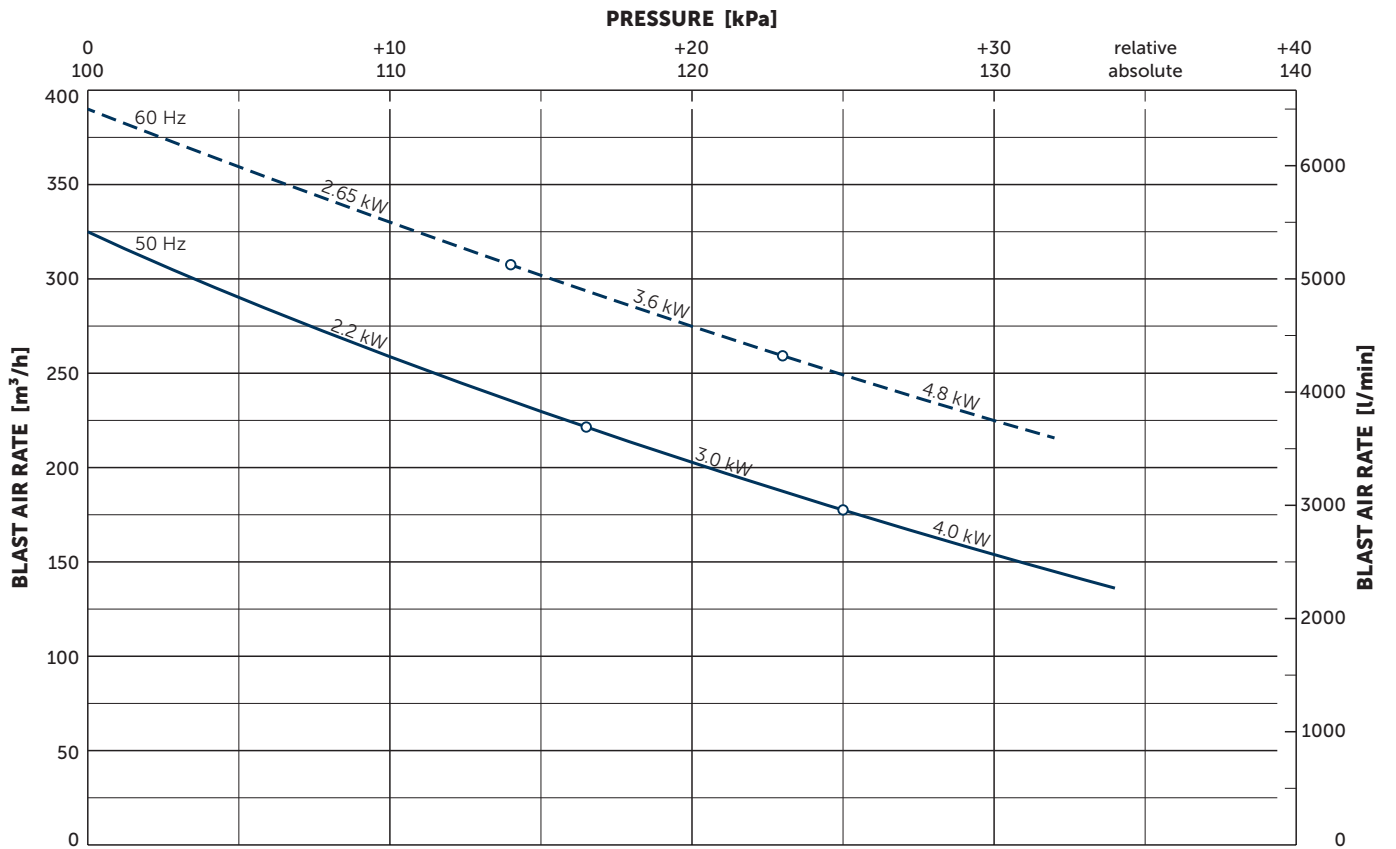
- 1 Vacuum connection (G2½)
- 2 Pressure connection (G2½)
- 3 Optional vibration dampers (rubber buffer) for vertical installation
- * Device dimensions without pedestal under the silencer, with rubber buffers on the enclosure cover
- The motor illustration may vary
- Dimensions in mm [inch]

Blast air rate		Pressure relative		Motors		Emission sound pressure level ¹⁾		Weight with motor	L
m ³ /h		mbar		kW		dB(A)		kg	mm [inch]
50 Hz	60 Hz	50 Hz	60 Hz	50 Hz	60 Hz	50 Hz	60 Hz		
325	390	+165	+140	2.2	2.65	71.0 (+115 mbar)	69.4 (+95 mbar)	42.0	469 [18.5]
325	390	+250	+230	3.0	3.6	71.0 (+165 mbar)	71.8 (+155 mbar)	44.5	494 [19.5]
325	390	+340	+320	4.0	4.8	72.0 (+255 mbar)	73.5 (+235 mbar)	50.0	538 [21.2]

¹⁾ According to DIN EN ISO 11203, accuracy class of measurement: class 2, extended measurement uncertainty: 3 dB
1 m [39.4 inch] distance, at medium load, both connection sides piped

3~ Motors											
#	50 Hz					60 Hz					Version
	kW	V	IE3	min ⁻¹	A	kW	V	IE3	min ⁻¹	A	
01	2.2	Δ230/Y400	IE3	2910	7.7/4.45	2.65	Δ265/Y460 Δ230/Y400	IE3	3510 3460	7.6/4.4 8.3/4.6	UL • CSA IP55 • ISO F • bimetal
02						2.65	YY230/Y460 YY208/Y –	IE3	3510 3460	8.6/4.3 9.2/ –	UL • CSA • CC IP55 • ISO F • bimetal
03	3.0	Δ230/Y400	IE3	2890	10.6/6.1	3.6	Δ265/Y460 Δ230/Y400	IE3	3500 3460	10.6/6.1 11.6/6.7	UL • CSA IP55 • ISO F • bimetal
04						3.6	YY230/Y460 YY208/Y –	IE3	3510 3480	12.4/6.2 13.0/ –	UL • CSA • CC IP55 • ISO F • bimetal
05	3.0	Δ200/Y350	IE3	2920	13.9/8.0	3.6	Δ220/Y380–400 Δ200/Y350	IE3	3500 3470	12.6/7.3 13.2/7.6	IP55 • ISO F • bimetal
06	4.0	Δ230/Y400	IE3	2930	14.6/8.4	4.8	Δ265/Y460 Δ230/Y400	IE3	3520 3490	14.3/8.25 15.4/8.85	UL • CSA IP55 • ISO F • bimetal
07						4.8	YY230/Y460 YY208/Y –	IE3	3520 3500	16.5/8.25 17.1/ –	UL • CSA IP55 • ISO F • bimetal
08	4.0	Δ200/Y350	IE3	2930	16.6/9.6	4.8	Δ220/Y380–400 Δ200/Y350	IE3	3520 3490	16.6/9.6–9.45 17.7/10.1	IP55 • ISO F • bimetal

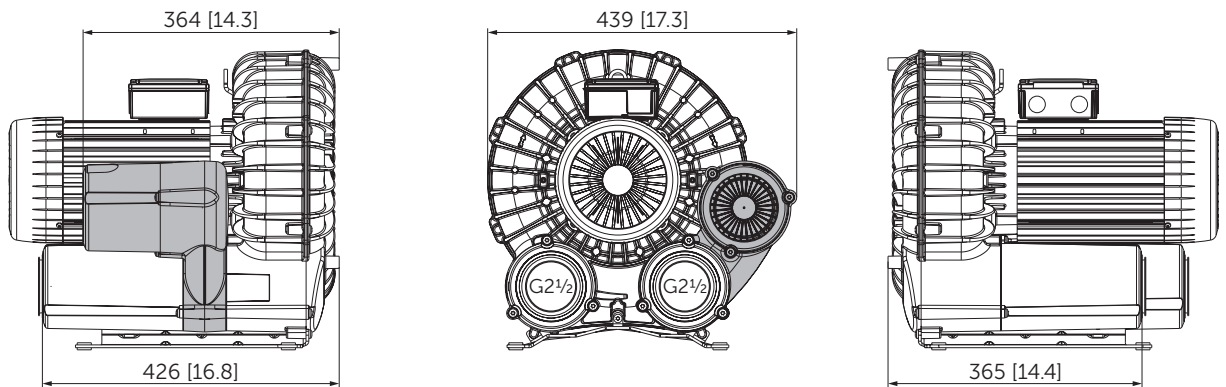
• Current consumption and rotation speed may vary. Tolerance in each case -1.5/+2%



Reference data (atmosphere): 1000 mbar (100 kPa), 20°C (68°F)
 Tolerance: $\pm 10\%$
 Temperature: Inlet air 0°C ... 40°C (32°F ... 104°F), Ambient air -10°C ... 40°C (14°F ... 104°F)

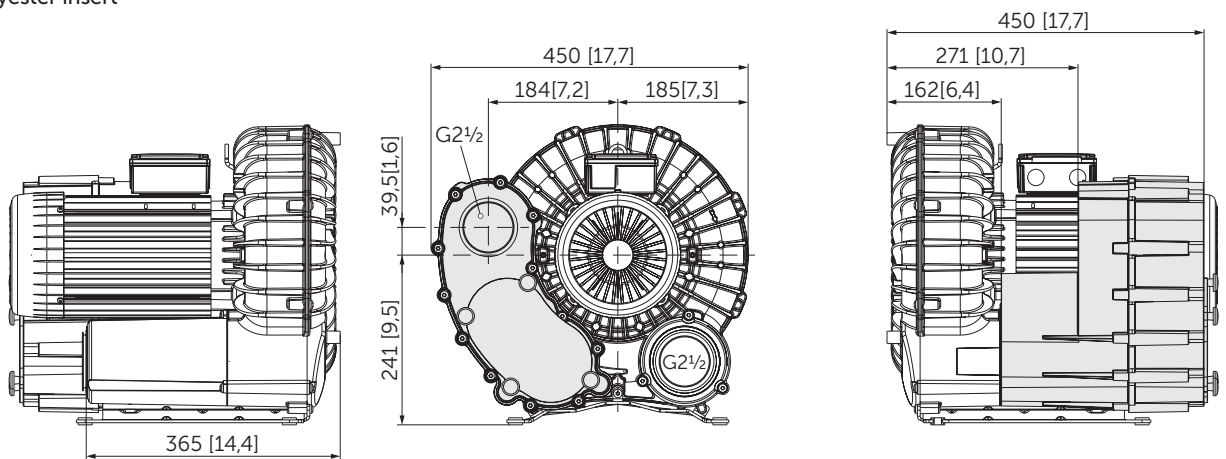
+ VARIANTS AND ACCESSORIES

PRESSURE SAFETY VALVE

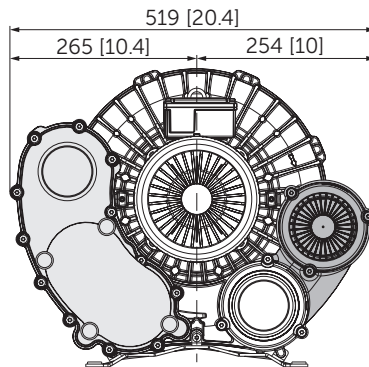


SUCTION FILTER

- Paper or polyester insert



SUCTION FILTER AND PRESSURE SAFETY VALVE



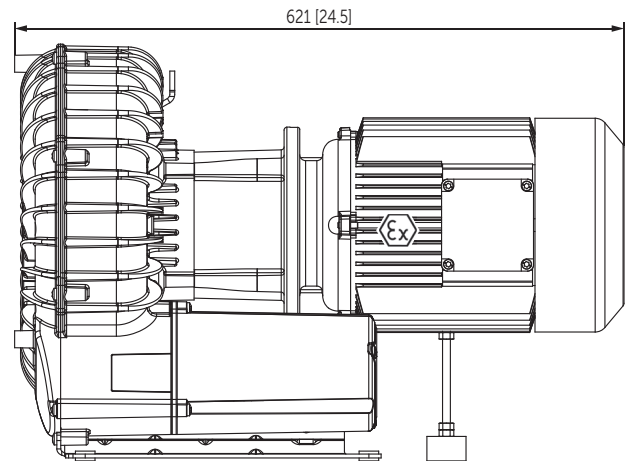
• Dimensions in mm [inch] – For other dimensions, see the figure on page 2.

ATEX SV 300/1 WITH MOTOR

- With coupling for flange motor
- The motor must be supported!

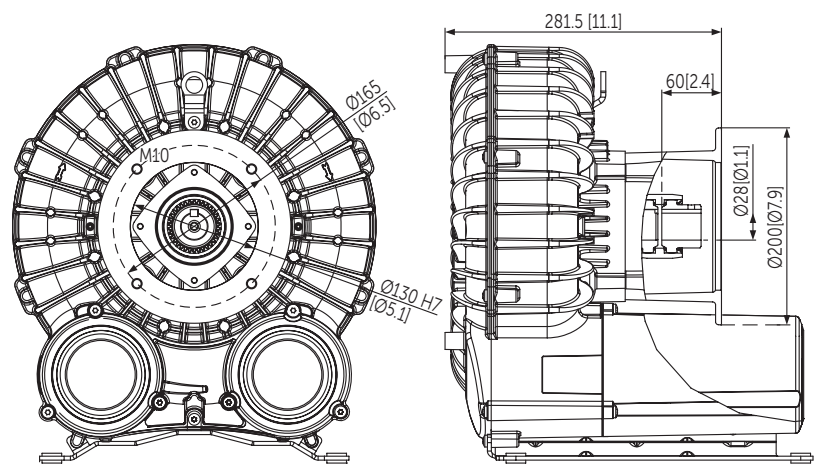
ATEX zone	Blast air rate m ³ /h (50 Hz)	Pressure relative mbar (50 Hz)
II 3G/3G c IIB T3	325	+250
II 3D c IIB T 125		

50 Hz				Total weight
kW	V	min ⁻¹	A	kg
3.3	Δ230/Y400	2830	10.6/6.12	71



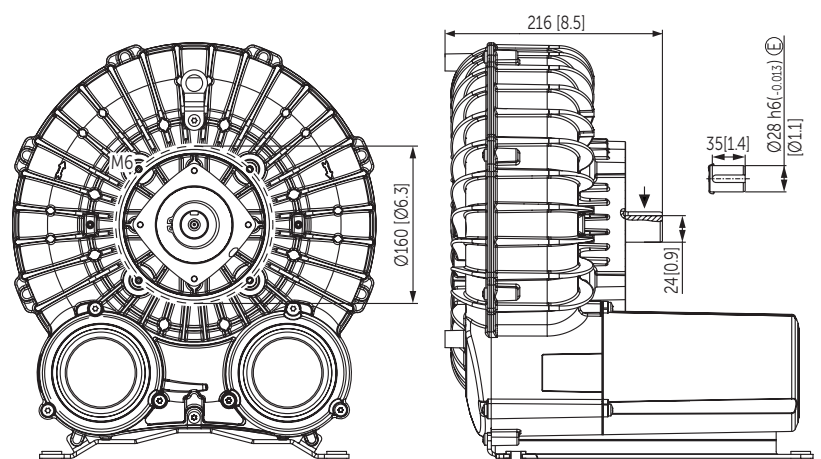
WITHOUT MOTOR

- With coupling for flange motor
- The motor must be supported!



WITHOUT MOTOR

- With free shaft end
- Max. 5600 rpm with V-belt pulley
- Possible performance data see VARIAIR SV 300/1¹⁾



OTHER VARIANTS AND ACCESSORIES

- With increased corrosion protection
- VARIAIR SV 300/1 with frequency inverter VAU4/4 for 87 Hz operation¹⁾
- VARIAIR SV 300/1 with frequency inverter VAU7.5/3 for 100 Hz operation¹⁾
- VARIAIR SV 300/1 gas-tight (inert gases) with frequency inverter VAU7.5/3 for 100 Hz operation¹⁾
- Sound proof box SH 18¹⁾

¹⁾ See separate data sheet

• Current consumption and rotation speed may vary. Tolerance in each case -1.5/+2%. The motor illustration may vary.
 • Dimensions in mm [inch] – For other dimensions, see the figure on page 2.



Sound proof box SH 18



MAKE IT BECKER.